



Technical data sheet

EOS Edge

**Sauna heater for private sauna cabins.
Floor-standing model.**

Stylish sauna heater in "tower" design with open rock store on all sides for dry (Finnish) sauna.

Exclusive premium class floor-standing heater with a distinctive side wall pattern - elegant and modern.

Your advantages:

- Elegant "tower" design with well-thought construction, ensuring stable air circulation for maximum performance.
- The design can be enhanced with optional side cover panels in anthracite or matt black finish.
- Outer shell and inner cage made of polished stainless steel - for durability and reliability.
- Adjustable feet provide a secure position by uneven floors.
- Uniform appearance on all sides - great for installation in front of glass or central position.
- Up to 115 kg sauna stones ensure excellent temperature stability and heat storage reserves for powerful steam shocks and a great sauna experience.
- Made in Germany quality from EOS.

Specifications:

| | |
|---------------------|---|
| Outer shell: | Stainless steel |
| Inner cage: | Stainless steel |
| Terminal box: | integrated in the bottom of the heater |
| Power output: | 6.0, 7.5, and 9.0 kW |
| Power supply: | 400 V 3N AC 50 Hz |
| Rock store volume: | approx. 115 kg (Sauna stones optionally available) |
| Dimensions (HxWxD): | 100 x 35 x 35 cm (Adjustable feet) |
| Installation: | Floor-standing model |

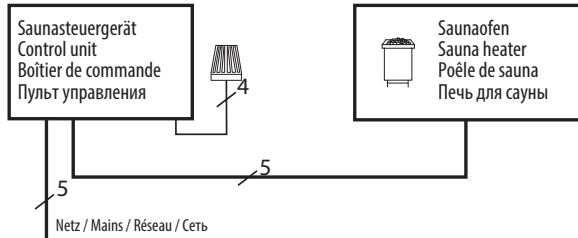


Optional side cover panels with anthracite or black finish.

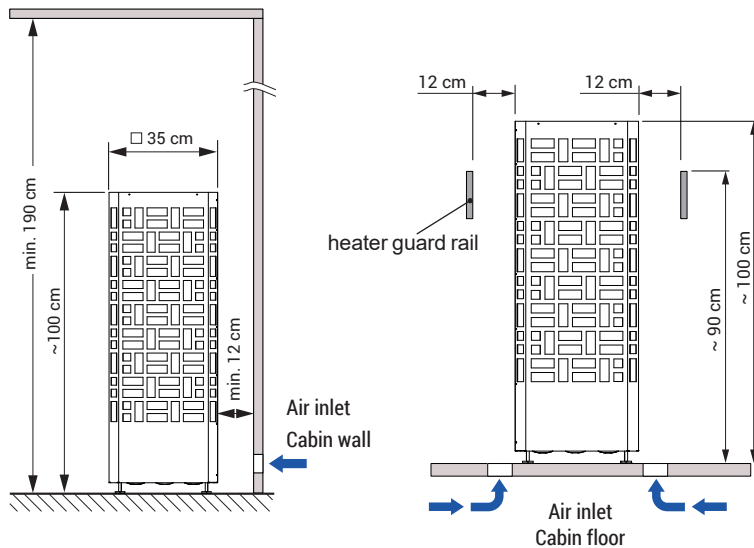
CE EAC IPx4 MADE IN GERMANY 

Connection diagram

7,5 - 9,0 kW



Installation example



Spare heating elements

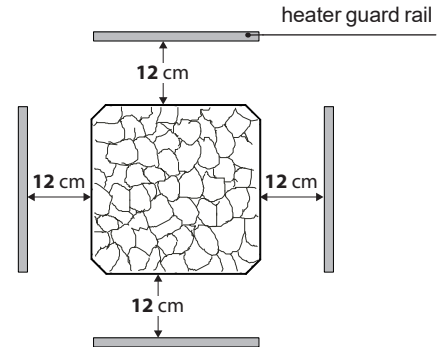
| Description | Item no. |
|-------------------------------|-----------------------|
| 6,0 kW (6x 1000 W) | 2001.0888 |
| 7,5 kW (3x 1000 W, 3x 1500 W) | 2001.0888 / 2001.0894 |
| 9,0 kW (6 x 1500 W) | 2001.0894 |

Technical specifications

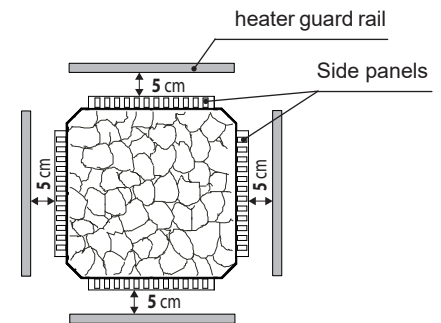
| Item no. | Power output | Electrical connection | Fuse protection control unit | Connection power supply - control unit | Connection control unit - heater | Dimensions H / W / D, cm | For sauna cabin size | Min. size of air inlet and outlet | Weight without rocks | Stone filling | Power extension necessary |
|----------|--------------|-----------------------|------------------------------|--|----------------------------------|--------------------------|-----------------------|-----------------------------------|----------------------|----------------|---------------------------|
| 94.6976 | 6,0 kW | 400 V 3N AC 50 Hz | 3 x 16 A | 5 x 2,5 mm ² | 5 x 1,5 mm ² | 100 / 35 / 35 | 6 - 8 m ³ | 35 x 4 cm | 17 kg | approx. 115 kg | no |
| 94.6977 | 7,5 kW | | | | | | 8 - 12 m ³ | 35 x 5 cm | | | |
| 94.6978 | 9,0 kW | | | | | | 9 - 14 m ³ | 35 x 6 cm | | | |

All cross sections of a line are minimum diameters in mm² (copper wire), make sure to observe 18 cm ground clearance.

Minimum clearances



Clearances with side panels



Suitable control units

| Model | Item no. |
|----------------------------|----------|
| EOS Econ D1 | 94.6136 |
| EOS Econ D2 | 94.6138 |
| EOS Econ D3 | 94.6140 |
| EOS Econ D4 | 94.5842 |
| EOS EmoTec D series | |
| EOS EmoStyle D / Hi series | |
| EOS EmoTouch 3 series | |